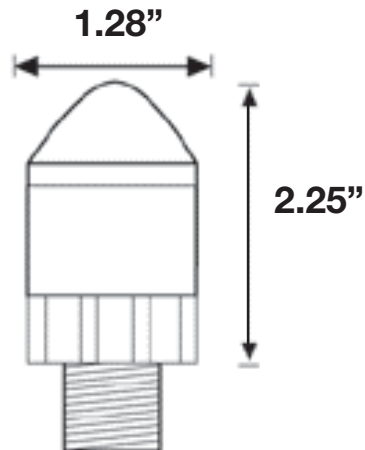
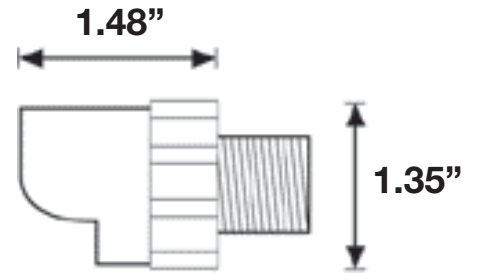


LS Series

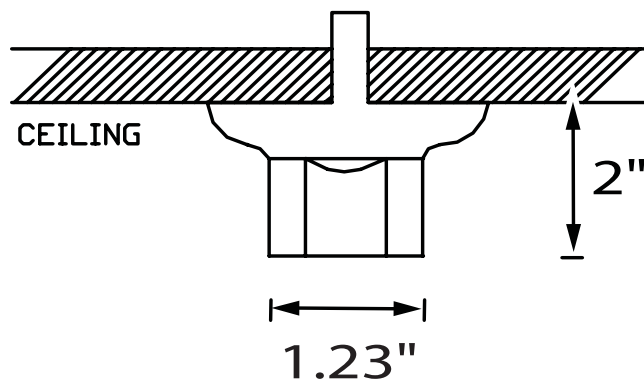
Light Level Sensors



Skylight Atrium Sensor



Outdoor Sensor



Ceiling Sensor

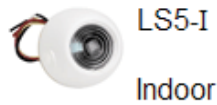


Integrated Light Level Sensors



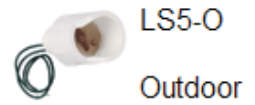
LS5-A

Atrium



LS5-I

Indoor



LS5-O

Outdoor



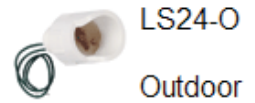
LS24-A

Atrium



LS24-I

Indoor



LS24-O

Outdoor

Overview

The LS5 5V linear photodiode is specifically designed to connect directly to Turnkey Lighting Control Lighting Panel controllers without requiring additional hardware. The LS5 monitors either task or ambient light levels precisely. The measured light level is converted to an analog signal and inputted into the Lighting Panel analog input. The analog value is then transmitted on the panel network to easily integrate with the Building Automation System.

The LS24 24V linear photodiode is designed to integrated directly with the Building Automation System rather than into the Turnkey Lighting Control Panel.

Electrical/Mechanical

Electrical

Accuracy	± 1% at 70° F (21° C) Derated to ± 5% at 120°F or at 0° F (-18 to 49°C)
Operating Temp	13° F to +140° F (-11° C to 60° C)
Sensor Type	Blue-enhanced Photo Diode
Wiring	Three conductor 18 ga.
Input Voltage	5 VDC (provided by analog input) 24 VDC (provided by BAS)

Sensor Ranges

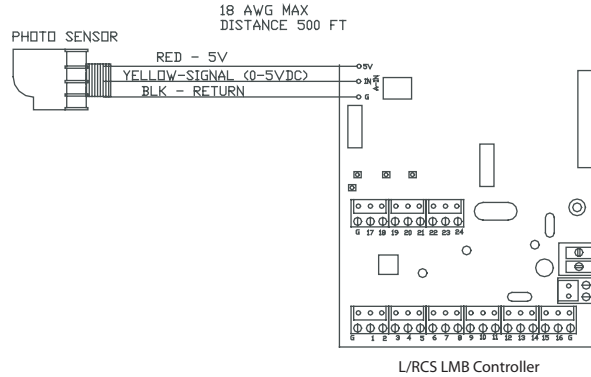
Product	Default range	Maximum Range*
LS5/I LS24/I	Indoor 0-100 FC	5-750 FC
LS5/O LS24/O	Outdoor 0-250 FC	5-750 FC
LS5/A LS24/A	Atrium 0-1000 FC	2000-2500 FC
LS5/S LS24/S	Skylight 0-2000 FC	1000-7500 FC

Maximum Range requires special order

Common trip point for Outdoor is 10-30 FC

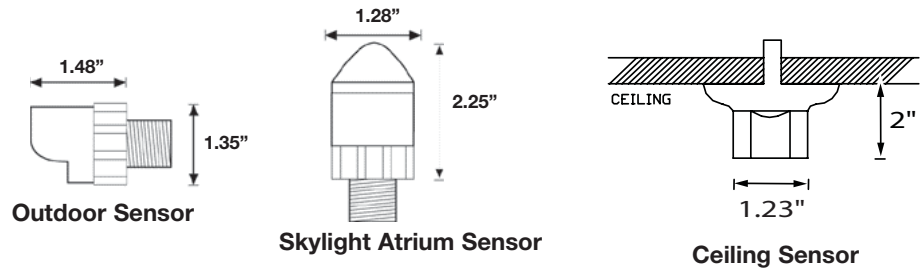
Product	Lens	Filter	Mounting	Orient	Height	Dia.
LS5/I LS24/I	Fresnel	Clear	Ceiling	Down	2.00"	1.23"
LS5/O LS24/O	Flat	Clear	1/2" IPT	Horiz..	1.87"	1.28"
LS5/A LS24/A	Dome	Opaque	1/2" IPT	Up	2.29"	1.28"
LS5/S LS24/S	Dome	Dark	1/2" IPT	Up	2.29"	1.28"

Typical Wiring (for LS5)



Connection Detail - L35 Series
Image transposed for easier viewing

Dimensions



Specifications

INDOOR

Indoor sensors shall have a Fresnel lens, with a 60° cone of response. Indoor sensors shall only require a penetration hole in the ceiling of 3/8" dia., and the sensor shall mount to the ceiling using adhesive tape. The Indoor sensor range shall be between 0 and 750 FC.

OUTDOOR

Outdoor models shall have a hood over the aperture to shield the sensor from direct sunlight. The outdoor sensor circuitry shall be completely encased in an optically clear epoxy resin. Outdoor sensors shall mount to a standard threaded 1/2" conduit or fit a 1/2" knockout. The Outdoor sensor range shall be between 0 and 750 FC.

ATRIUM or SKYLIGHT

The Atrium or Skylight sensors shall have a translucent dome with a 180° field of view. Atrium or Skylight sensors shall mount to standard threaded 1/2" conduit or fit a 1/2" knockout. Atrium sensor range shall be from 2 to 2,500 FC. Skylight sensor range shall be between 10 and 7,500 FC.

Housing

The sensor housing shall be constructed from GE Cyclocac (R) ABS, shall be flame retardant and meet UL 94 HB standards.

Ordering Instructions

LS5

Housing

- I = Indoor
- O = Outdoor
- A = Atrium
- S = Skylight

LS24

Housing

- I = Indoor
- O = Outdoor
- A = Atrium
- S = Skylight